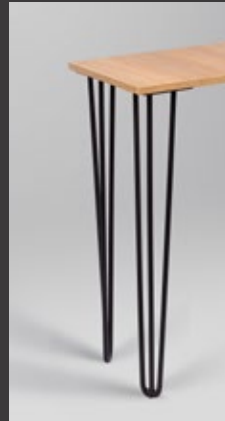


Variant⁺

PROFILE



METAL FURNITURE



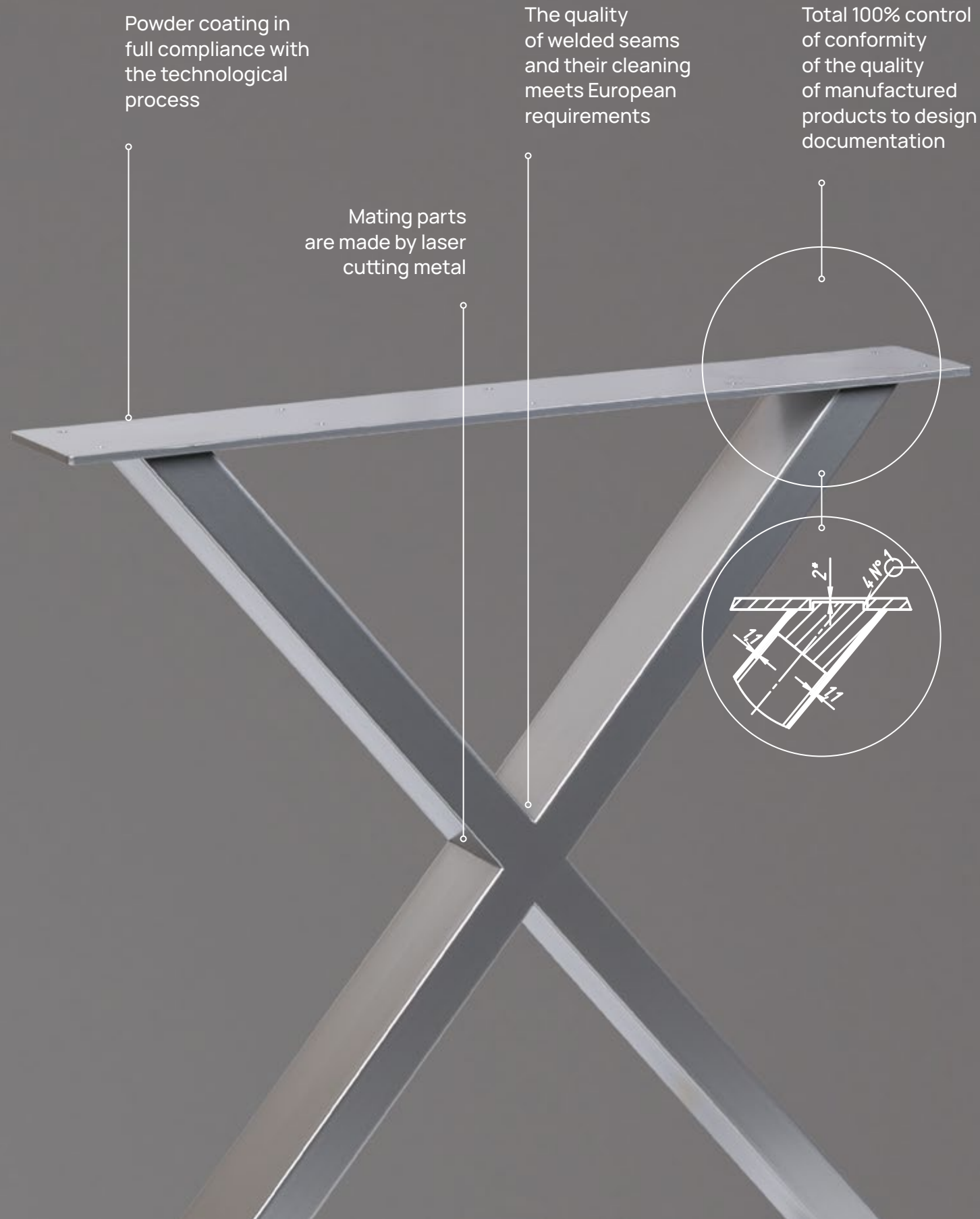


Table of contents

ABOUT COMPANY	3	TRAPEZ (2/SET)	
.....		Marlou	27
VUX (2/SET)		Model X	29
U-Frame	5	Trapez 1	31
V-Frame	7	Trapez 2	33
X-Frame	9	UV (2/SET)	
REINFORCED VUX (2/SET)		UV High U-Frame	35
New R-Frame	11	UV High X-Frame	37
New U-Frame	13	UV Small U-Frame	39
New V-Frame	15	UV Small X-Frame	41
New X-Frame	17	TIBET (2/SET + PLATE)	
PIN (4/SET)		Tibet Set	43
Pin High	19	SIMPLE FRAMES (2/SET)	
Pin Small	21	45
ALEPH (2/SET)			
N-Frame High	23		
N-Frame Small	25		

U-Frame

Materials used (basic): pipe 80*40, thickness 1.4 mm cold-rolled, sheet 6 mm, powder paint for external use, velvet

EQUIPMENT

supports - 2 pcs.

assembly instruction - 1 pc.

set of self-tapping screws for packaging assembly

packing

SIZES, MM

800*723*150

VENDOR CODE

UFM_04_04_19 BM

UFM_04_04_19 MM

UFM_04_04_19 NM

UFM_04_04_19 WM

SET WEIGHT, KG

17.90

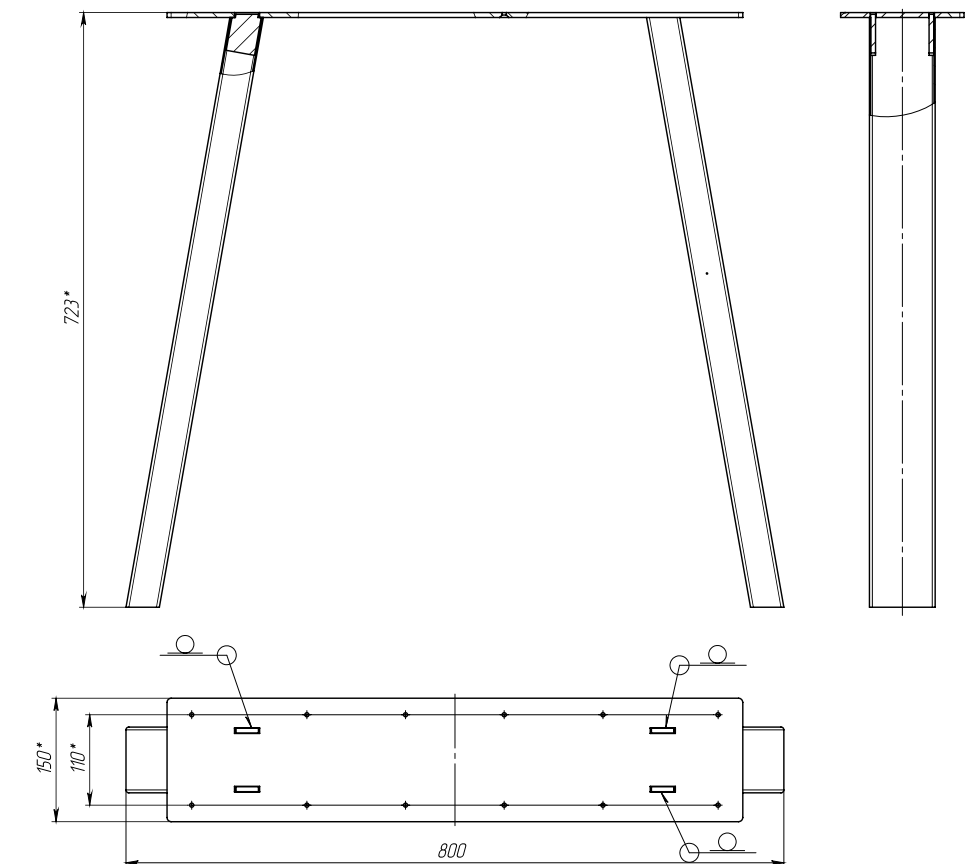
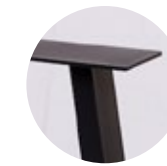
COLOUR

Black Matt

Metallic Matt

Natural Matt

White Matt



V-Frame

Materials used (basic): pipe 100*40, thickness 1.8 mm cold-rolled, sheet 6 mm, powder paint for external use, velvet

EQUIPMENT

supports - 2 pcs.

assembly instruction - 1 pc.

set of self-tapping screws for packaging assembly

packing

SIZES, MM

700*723*373

VENDOR CODE

VFM_02_04_19 BM

VFM_02_04_19 MM

VFM_02_04_19 NM

VFM_02_04_19 WM

SET WEIGHT, KG

23.84

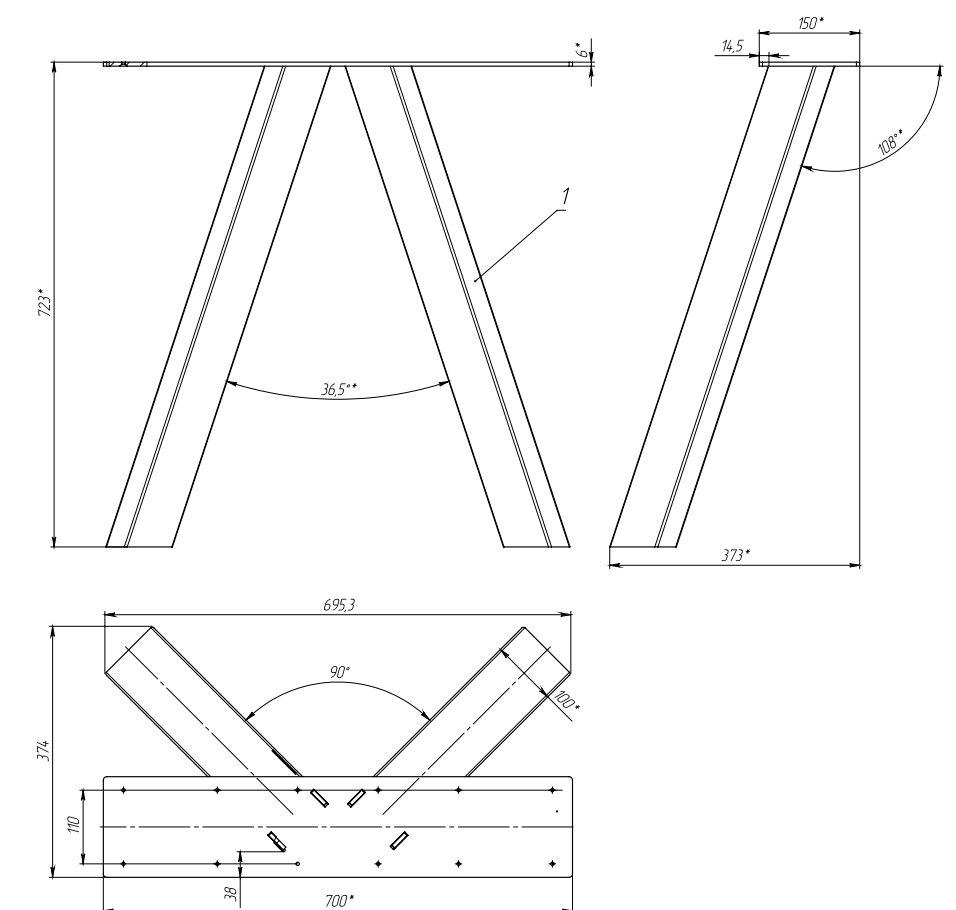
COLOUR

Black Matt

Metallic Matt

Natural Matt

White Matt





X-Frame

Materials used (basic): pipe 80*40, thickness 1.4 mm cold-rolled, sheet 6 mm, powder paint for external use, velvet

EQUIPMENT

supports - 2 pcs.

assembly instruction - 1 pc.

set of self-tapping screws for packaging assembly

packing

SIZES, MM

700*723*100

VENDOR CODE

XFM_16_06_19 BM

XFM_16_06_19 MM

XFM_16_06_19 NM

XFM_16_06_19 WM

SET WEIGHT, KG

16.32

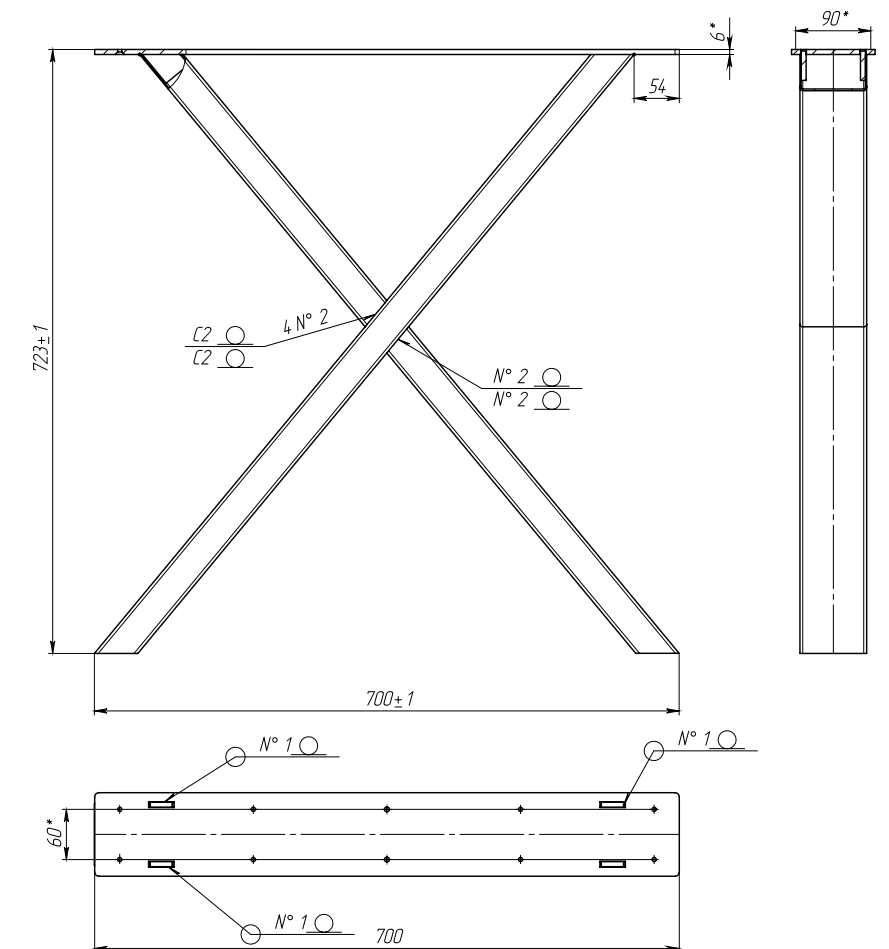
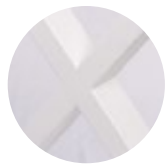
COLOUR

Black Matt

Metallic Matt

Natural Matt

White Matt





New R-Frame

Materials used (basic): pipe 60*30, thickness 1.4 mm cold-rolled, sheet 6 mm, powder paint for external use, velvet

EQUIPMENT

supports - 2 pcs.

assembly instruction - 1 pc.

set of self-tapping screws for packaging assembly

packing

SIZES, MM

515*712*200

VENDOR CODE

New RL_01_11_20 BM

New RL_01_11_20 MM

New RL_01_11_20 NM

New RL_01_11_20 WM

SET WEIGHT, KG

9.4

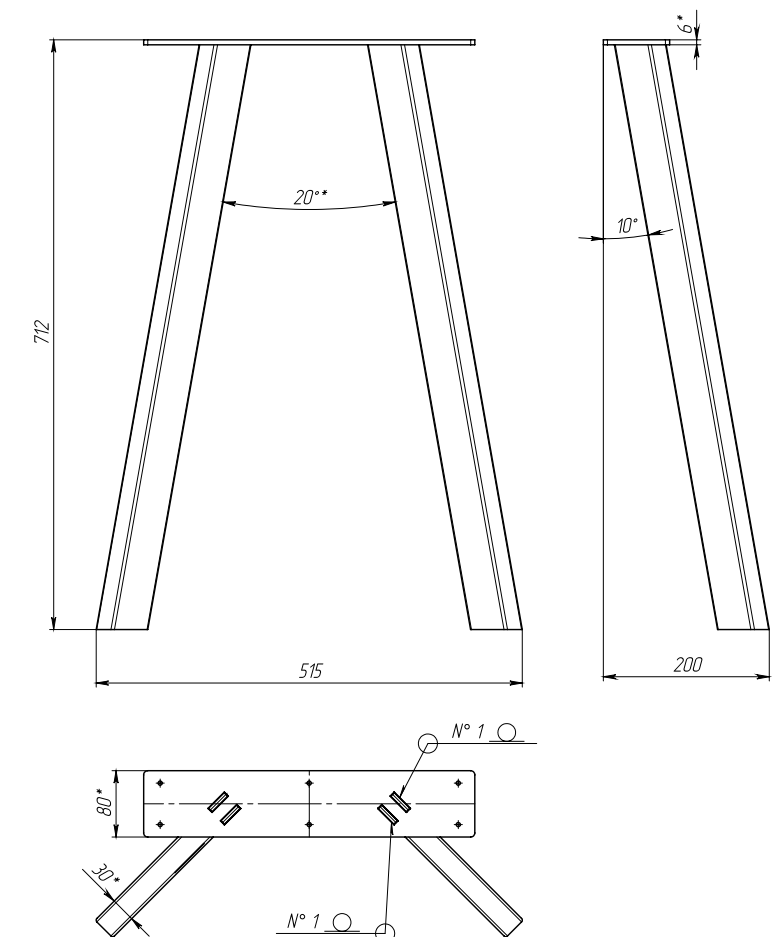
COLOUR

Black Matt

Metallic Matt

Natural Matt

White Matt



New U-Frame

Materials used (basic): pipe 120*60, thickness 2.0 mm cold-rolled, sheet 6 mm, powder paint for external use, velvet

EQUIPMENT

supports - 2 pcs.

assembly instruction - 1 pc.

set of self-tapping screws for packaging assembly

packing

SIZES, MM

1000*712*150

VENDOR CODE

New UL_01_11_20 BM

New UL_01_11_20 MM

New UL_01_11_20 NM

New UL_01_11_20 WM

SET WEIGHT, KG

35.28

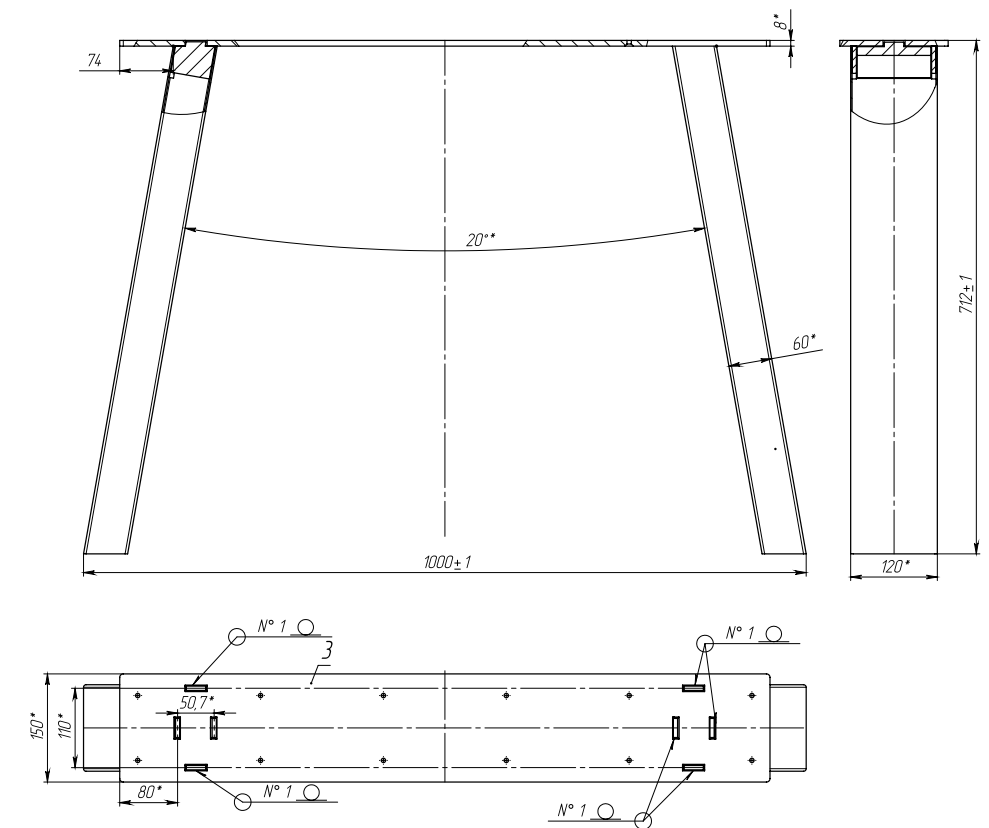
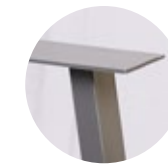
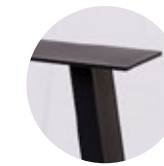
COLOUR

Black Matt

Metallic Matt

Natural Matt

White Matt





New V-Frame

Materials used (basic): pipe 120*60, thickness 2.0 mm cold-rolled, sheet 6 mm, powder paint for external use, velvet

EQUIPMENT

supports - 2 pcs.

assembly instruction - 1 pc.

set of self-tapping screws for packaging assembly

packing

SIZES, MM

900*712*520

VENDOR CODE

New VL_01_11_20 BM

New VL_01_11_20 MM

New VL_01_11_20 NM

New VL_01_11_20 WM

SET WEIGHT, KG

43.64

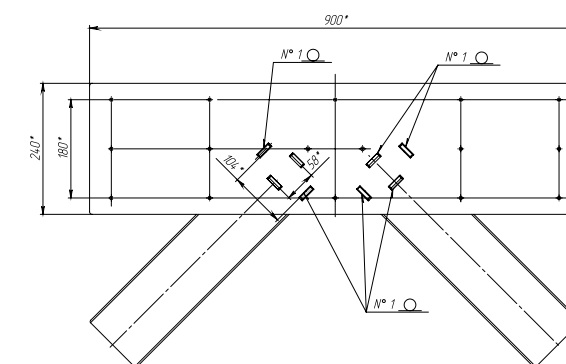
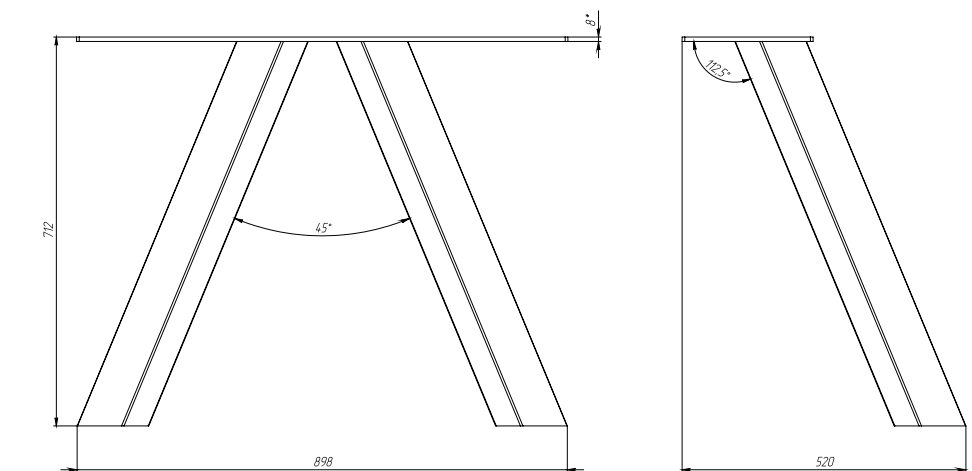
COLOUR

Black Matt

Metallic Matt

Natural Matt

White Matt



New X-Frame

Materials used (basic): pipe 80*80, thickness 2.0 mm cold-rolled, sheet 6 mm, powder paint for external use, velvet

EQUIPMENT

supports - 2 pcs.

assembly instruction - 1 pc.

set of self-tapping screws for packaging assembly

packing

SIZES, MM

900*712*180

VENDOR CODE

New XL_01_11_20 BM

New XL_01_11_20 MM

New XL_01_11_20 NM

New XL_01_11_20 WM

SET WEIGHT, KG

44.3

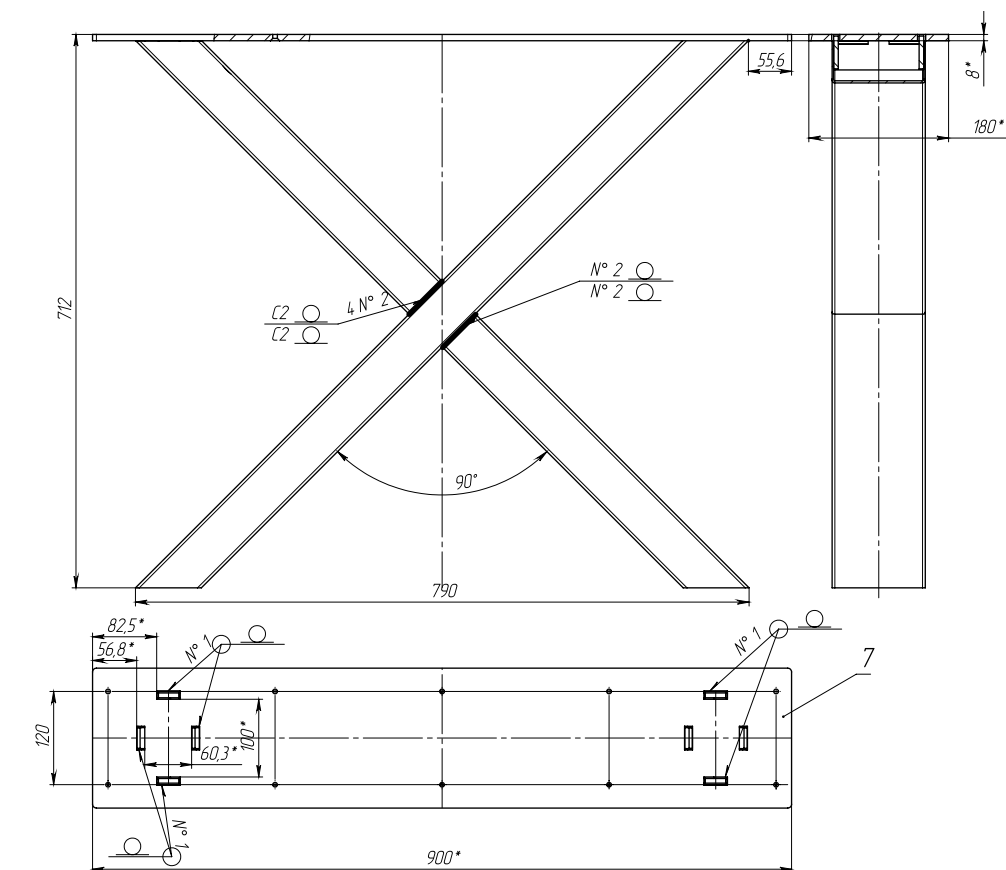
COLOUR

Black Matt

Metallic Matt

Natural Matt

White Matt





Pin High

Materials used (primary):
12 mm bars, the sheet of 3 mm,
the paint powder for external use,
velvet

EQUIPMENT

supports -4 pcs.

assembly instruction - 1 pc.

set of self-tapping screws for
packaging assembly

packing

SIZES, MM

120*710*120

VENDOR CODE

HPN_01_07_20 BM

HPN_01_07_20 MM

HPN_01_07_20 WM

SET WEIGHT, KG

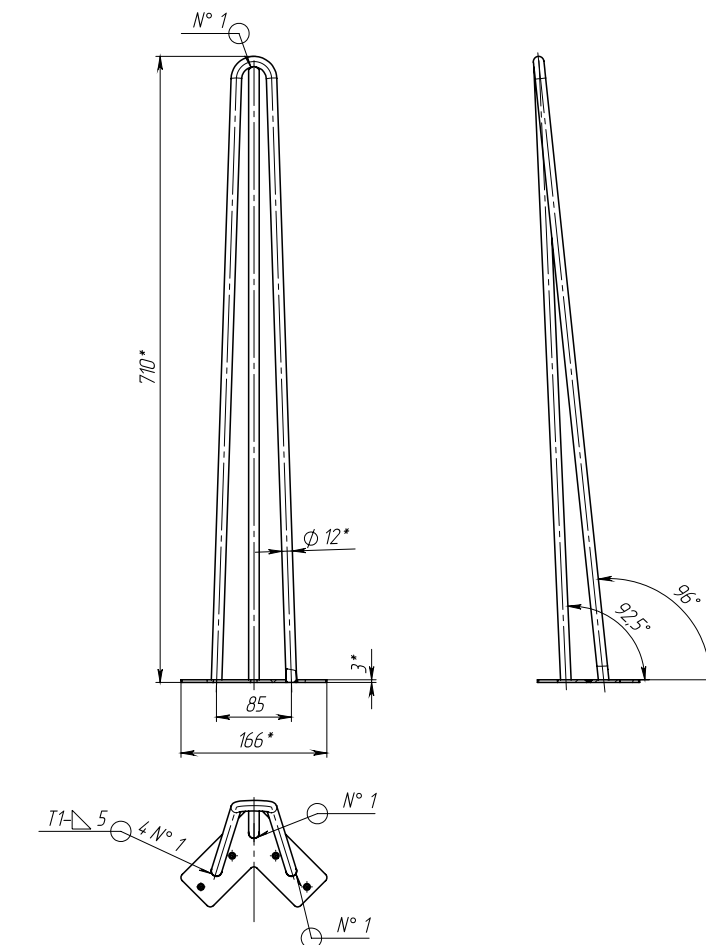
8.44

COLOUR

Black Matt

Metallic Matt

White Matt





Pin Small

Materials used (primary):
12 mm bars, the sheet of 3 mm,
the paint powder for external use,
velvet

EQUIPMENT

supports - 4 pcs.

assembly instruction - 1 pc.

set of self-tapping screws for
packaging assembly

packing

SIZES, MM

120*406*120

VENDOR CODE

SPN_01_07_20 BM

SPN_01_07_20 MM

SPN_01_07_20 WM

SET WEIGHT, KG

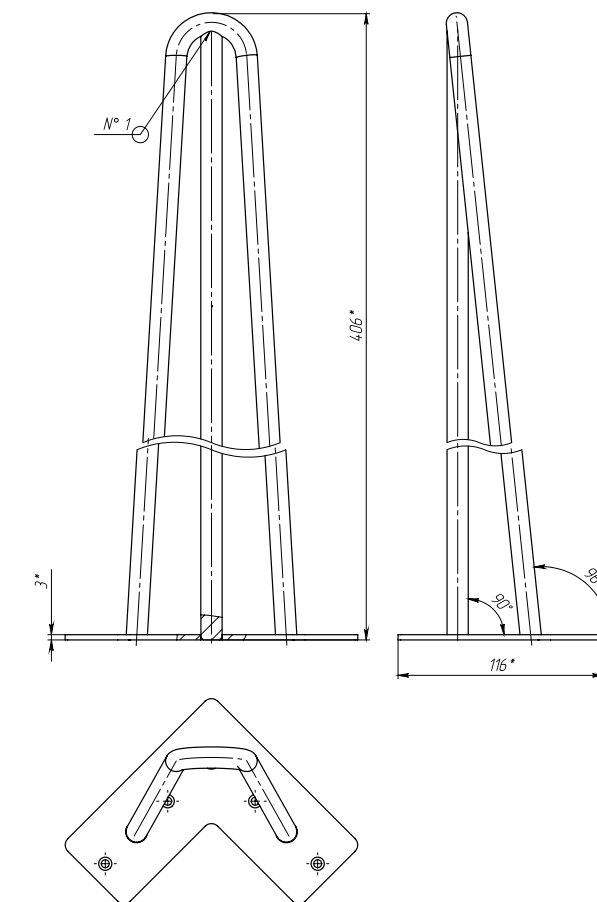
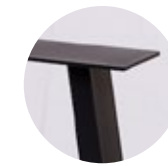
5.2

COLOUR

Black Matt

Metallic Matt

White Matt





N-Frame High

Materials used (basic): pipe 80*40, thickness 1.4 mm cold rolled, sheet 6 mm, powder paint for external use, velvet

EQUIPMENT

supports - 2 pcs.

assembly instruction - 1 pc.

set of self-tapping screws for packaging assembly

packing

SIZES, MM

700*723*150

VENDOR CODE

HNF_07_01_21 BM

HNF_07_01_21 MM

HNF_07_01_21 NM

HNF_07_01_21 WM

SET WEIGHT, KG

21.18

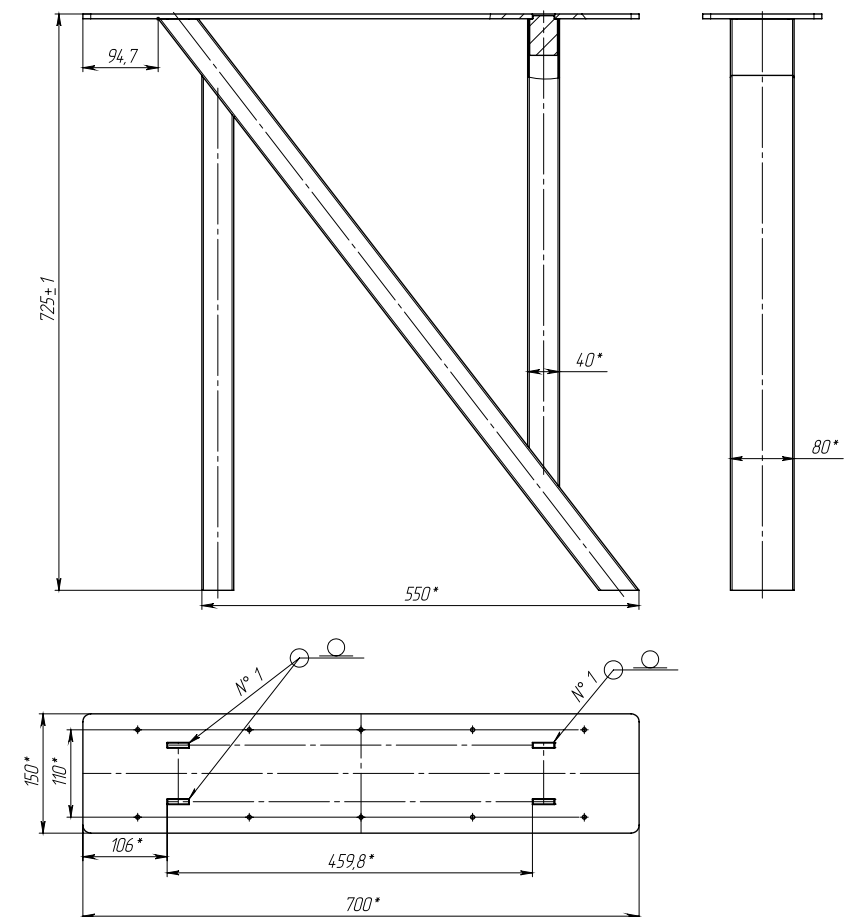
COLOUR

Black Matt

Metallic Matt

Natural Matt

White Matt





N-Frame Small

Materials used (basic): pipe 60*30, thickness 1.4 mm cold rolled, sheet 4 mm, powder paint for external use, velvet

EQUIPMENT

supports - 2 pcs.

assembly instruction - 1 pc.

set of self-tapping screws for packaging assembly

packing

SIZES, MM

410*420*90

VENDOR CODE

HNF_07_01_21 BM

HNF_07_01_21 MM

HNF_07_01_21 NM

HNF_07_01_21 WM

SET WEIGHT, KG

21.18

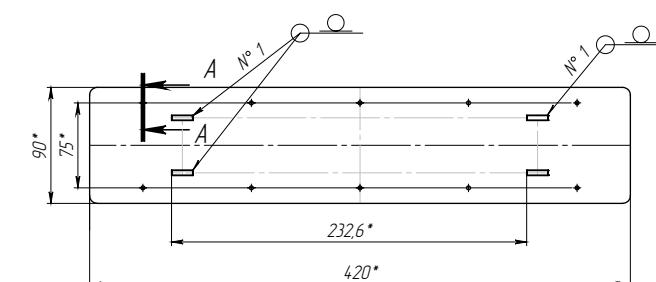
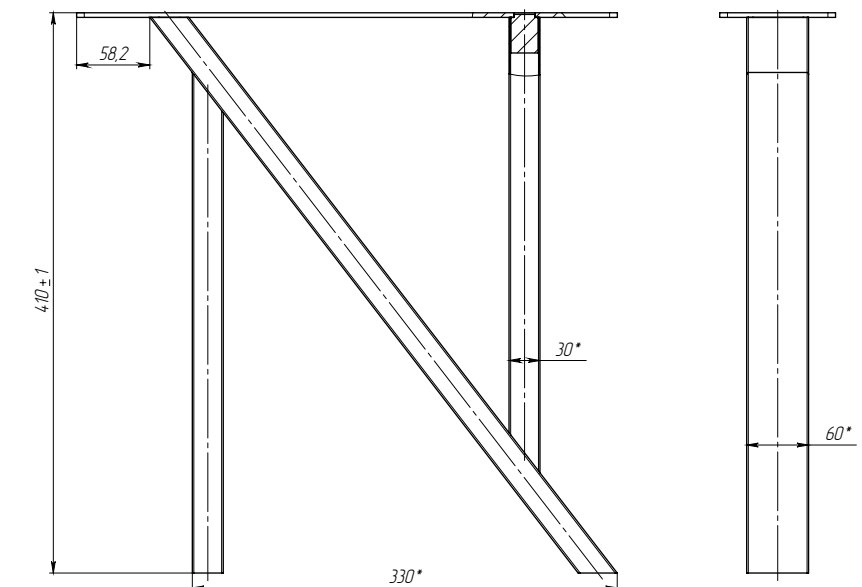
COLOUR

Black Matt

Metallic Matt

Natural Matt

White Matt



Marlou

Materials used (basic): pipe 80*80, thickness 2.0 mm cold rolled, sheet 6 mm, powder paint for external use, velvet



EQUIPMENT

supports - 2 pcs.

assembly instruction - 1 pc.

set of self-tapping screws for packaging assembly

packing

SIZES, MM

700*723*150

VENDOR CODE

MF_11_02_21 BM

MF_11_02_21 MM

MF_11_02_21 NM

MF_11_02_21 WM

SET WEIGHT, KG

29.8

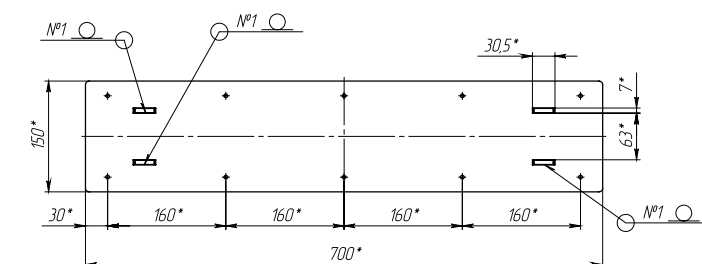
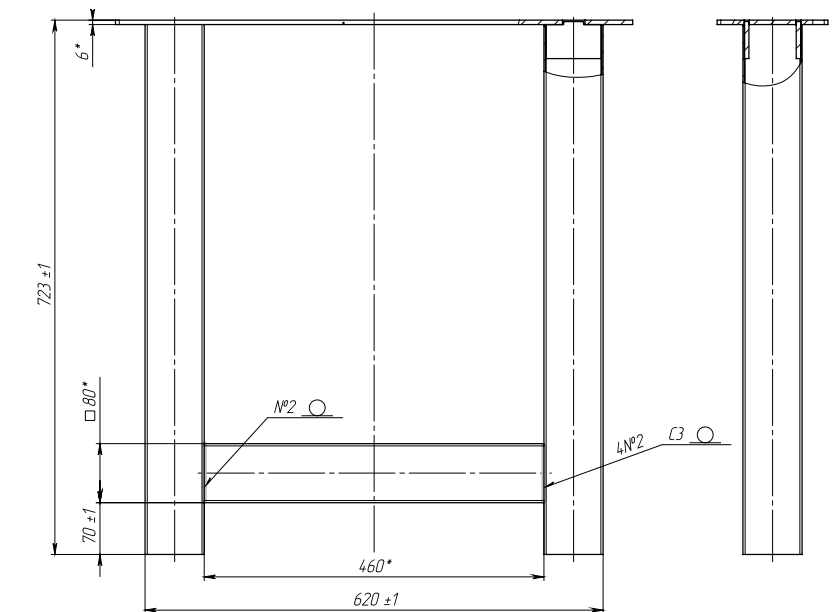
COLOUR

Black Matt

Metallic Matt

Natural Matt

White Matt





Model X

Materials used (basic): pipe 60*30, thickness 1.4 mm cold rolled, sheet 5 mm, powder paint for external use, velvet

EQUIPMENT

supports - 2 pcs.

assembly instruction - 1 pc.

set of self-tapping screws for packaging assembly

packing

SIZES, MM

746*723*150

VENDOR CODE

XF_11_02_21 BM

XF_11_02_21 MM

XF_11_02_21 NM

XF_11_02_21 WM

SET WEIGHT, KG

28.72

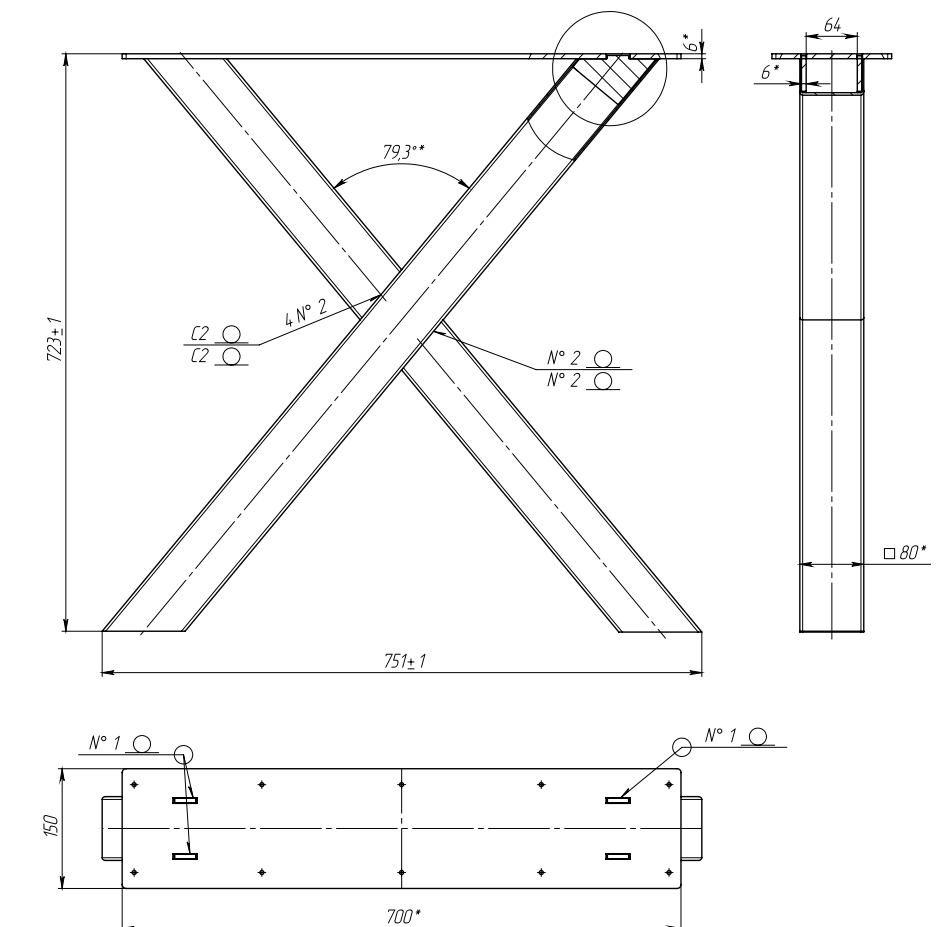
COLOUR

Black Matt

Metallic Matt

Natural Matt

White Matt



Trapez 1

Materials used (basic): pipe 60*30, thickness 1.4 mm cold rolled, sheet 4 mm, powder paint for external use, velvet

EQUIPMENT

supports - 2 pcs.

assembly instruction - 1 pc.

set of self-tapping screws for packaging assembly

packing

SIZES, MM

803*723*80

VENDOR CODE

T1F_11_02_21 BM

T1F_11_02_21 MM

T1F_11_02_21 NM

T1F_11_02_21 WM

SET WEIGHT, KG

13.9

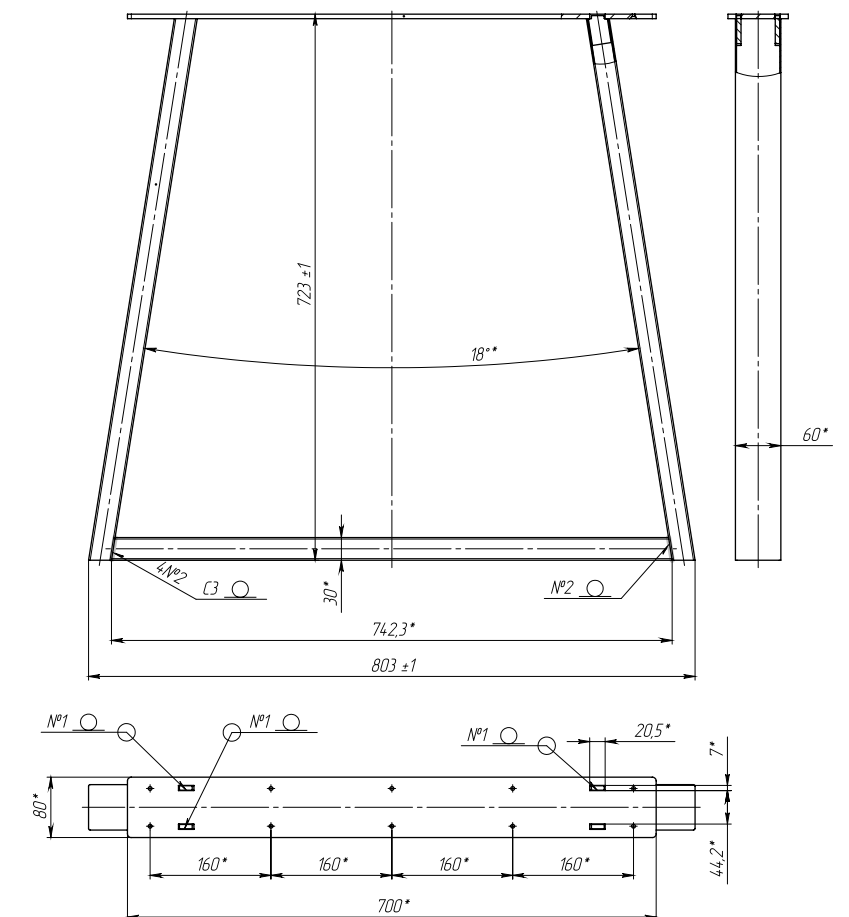
COLOUR

Black Matt

Metallic Matt

Natural Matt

White Matt



Trapez 2

Materials used (basic): pipe 80*80, thickness 2.0 mm cold rolled, sheet 6 mm, powder paint for external use, velvet

EQUIPMENT

supports - 2 pcs.

assembly instruction - 1 pc.

set of self-tapping screws for packaging assembly

packing

SIZES, MM

803*723*150

VENDOR CODE

T2F_11_02_21 BM

T2F_11_02_21 MM

T2F_11_02_21 NM

T2F_11_02_21 WM

SET WEIGHT, KG

31.18

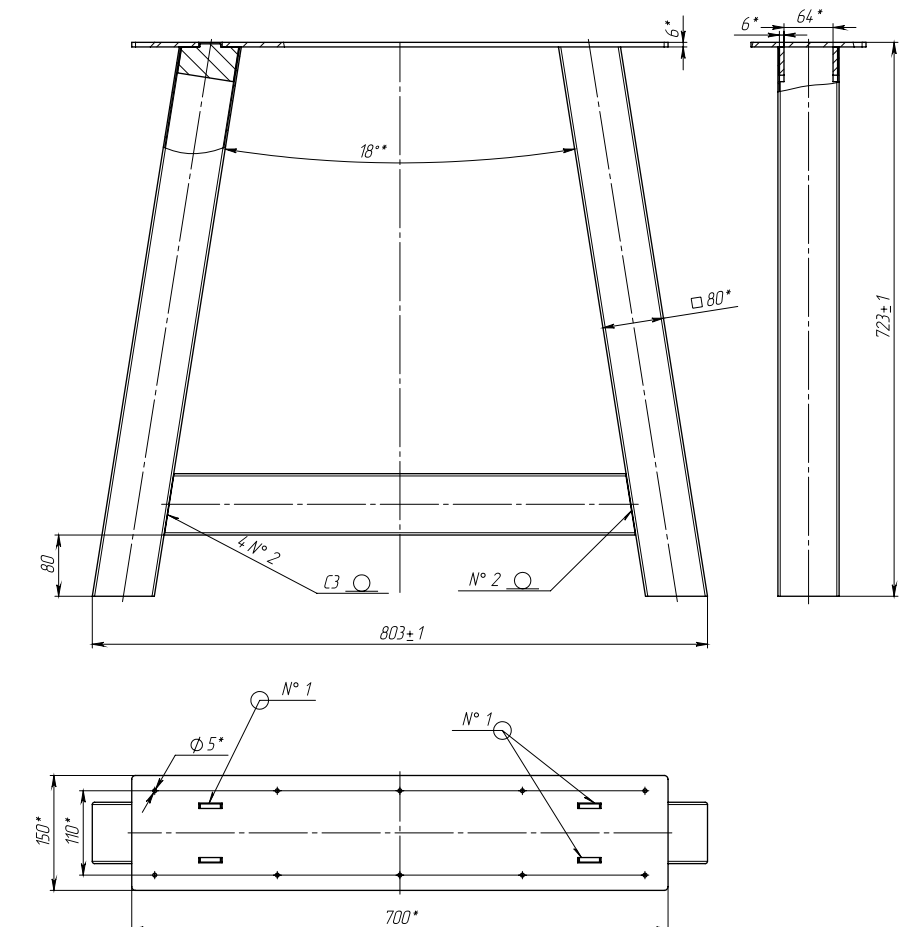
COLOUR

Black Matt

Metallic Matt

Natural Matt

White Matt





UV High U-Frame

Materials used (basic): pipe 80*40, thickness 1.4 mm cold rolled, sheet 6 mm, powder paint for external use, velvet

EQUIPMENT

supports - 2 pcs.

assembly instruction - 1 pc.

set of self-tapping screws for packaging assembly

packing

SIZES, MM

700*723*100

VENDOR CODE

UV_HU_11_02_21 BM

UV_HU_11_02_21 MM

UV_HU_11_02_21 NM

UV_HU_11_02_21 WM

SET WEIGHT, KG

16.4

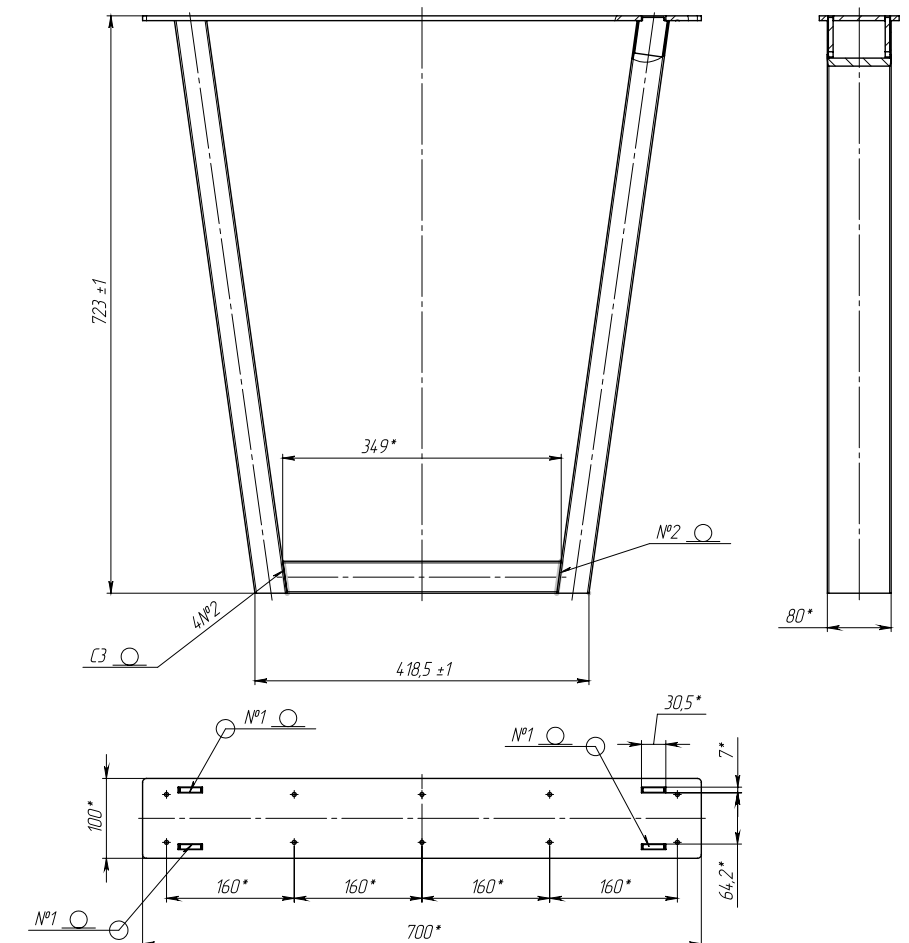
COLOUR

Black Matt

Metallic Matt

Natural Matt

White Matt





UV High X-Frame

Materials used (basic): pipe 80*40, thickness 1.4 mm cold rolled, sheet 6 mm, powder paint for external use, velvet

EQUIPMENT

supports - 2 pcs.

assembly instruction - 1 pc.

set of self-tapping screws for packaging assembly

packing

SIZES, MM

700*732*100

VENDOR CODE

XFM_16_06_19 BM

XFM_16_06_19 MM

XFM_16_06_19 NM

XFM_16_06_19 WM

SET WEIGHT, KG

16.32

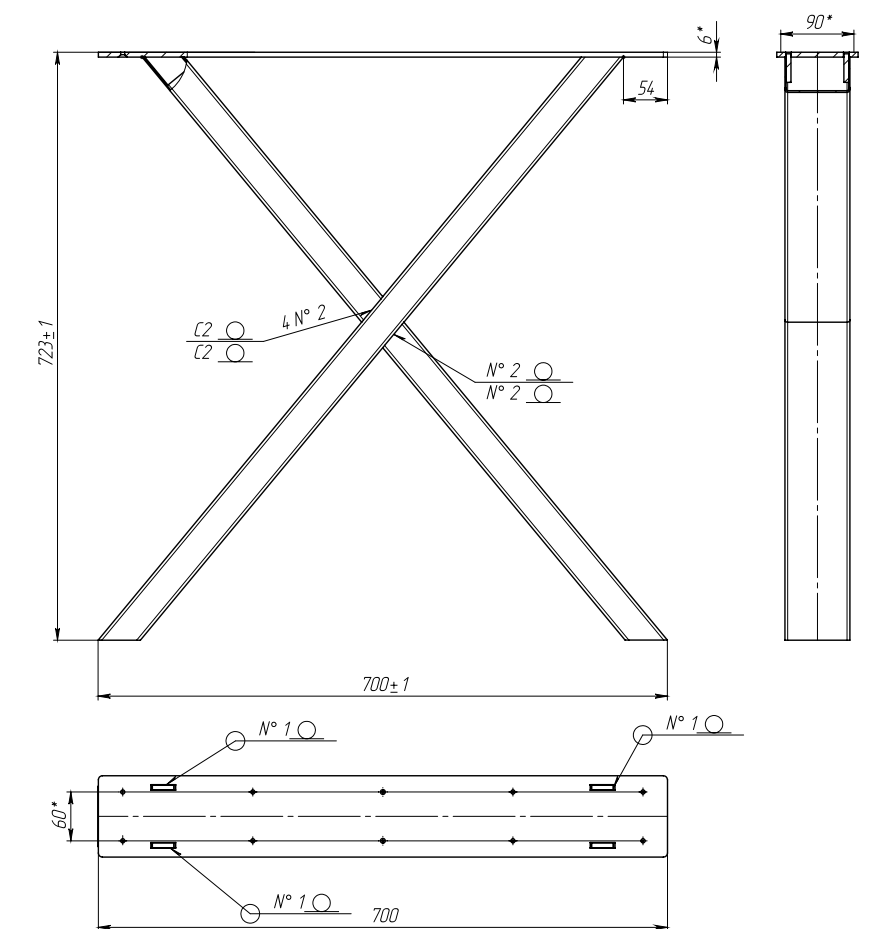
COLOUR

Black Matt

Metallic Matt

Natural Matt

White Matt





UV Small U-Frame

Materials used (basic): pipe 80*40, thickness 1.4 mm cold rolled, sheet 6 mm, powder paint for external use, velvet

EQUIPMENT

supports - 2 pcs.

assembly instruction - 1 pc.

set of self-tapping screws for packaging assembly

packing

SIZES, MM

465*450*100

VENDOR CODE

UV_SU_11_02_21 BM

UV_SU_11_02_21 MM

UV_SU_11_02_21 NM

UV_SU_11_02_21 WM

SET WEIGHT, KG

10.54

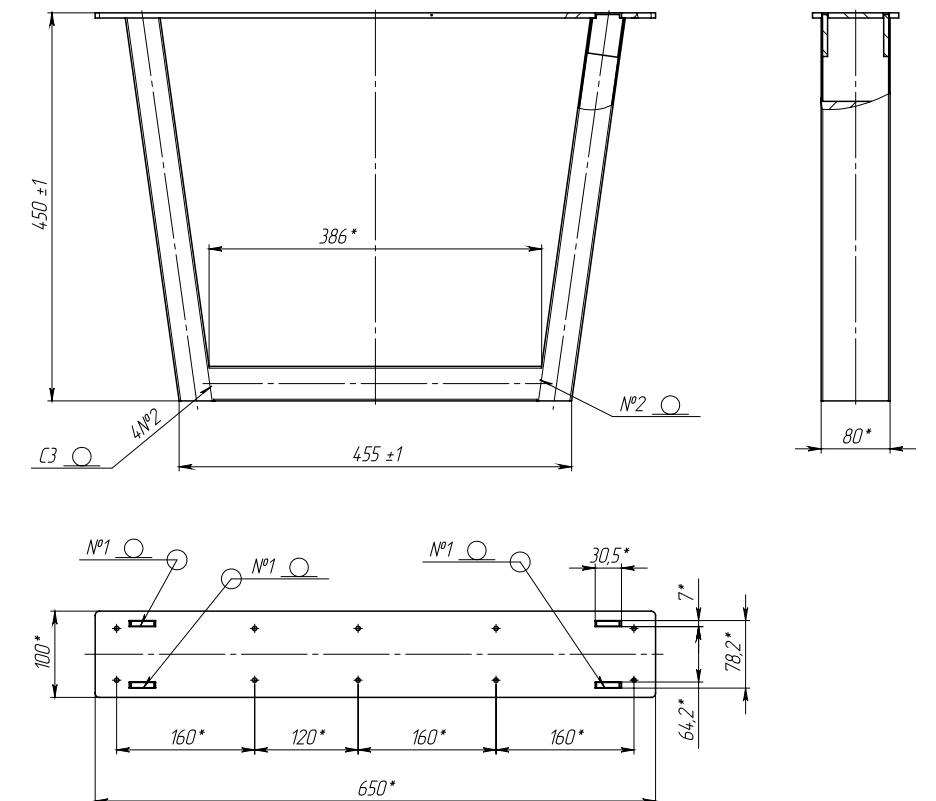
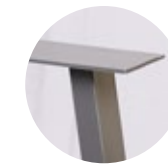
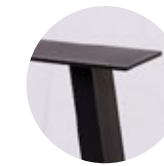
COLOUR

Black Matt

Metallic Matt

Natural Matt

White Matt





UV Small X-Frame

Materials used (basic): pipe 80*40, thickness 1.4 mm cold rolled, sheet 6 mm, powder paint for external use, velvet

EQUIPMENT

supports - 2 pcs.

assembly instruction - 1 pc.

set of self-tapping screws for packaging assembly

packing

SIZES, MM

465*450*100

VENDOR CODE

XFMS_16_06_19 BM

XFMS_16_06_19 MM

XFMS_16_06_19 NM

XFMS_16_06_19 WM

SET WEIGHT, KG

10.32

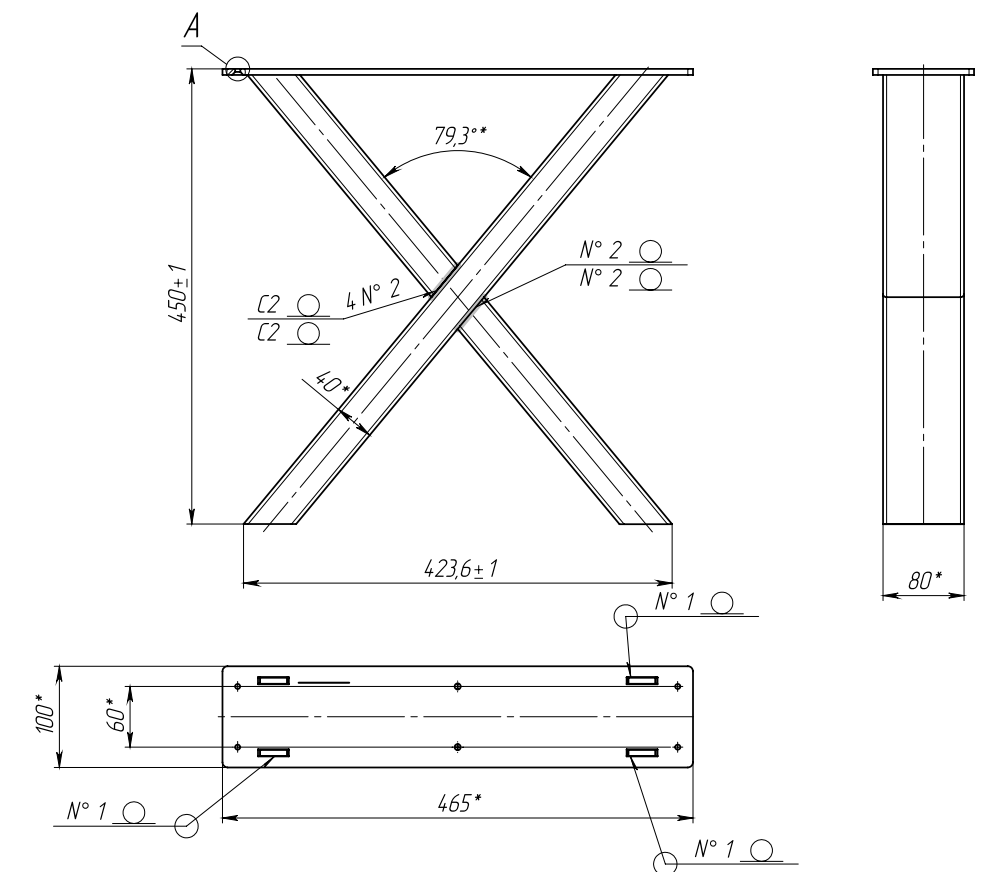
COLOUR

Black Matt

Metallic Matt

Natural Matt

White Matt





Tibet Set

Materials used (basic): pipe 80*20, thickness 1.4 mm cold rolled, sheet 3 mm, powder paint for external use, velvet

EQUIPMENT

supports - 2 pcs.

assembly instruction - 1 pc.

set of self-tapping screws for packaging assembly

packing

SIZES, MM

640*745*170

VENDOR CODE

TS_05_01_21 BM

TS_05_01_21 WM

TS_05_01_21 MM

TS_05_01_21 NM

SET WEIGHT, KG

10.12

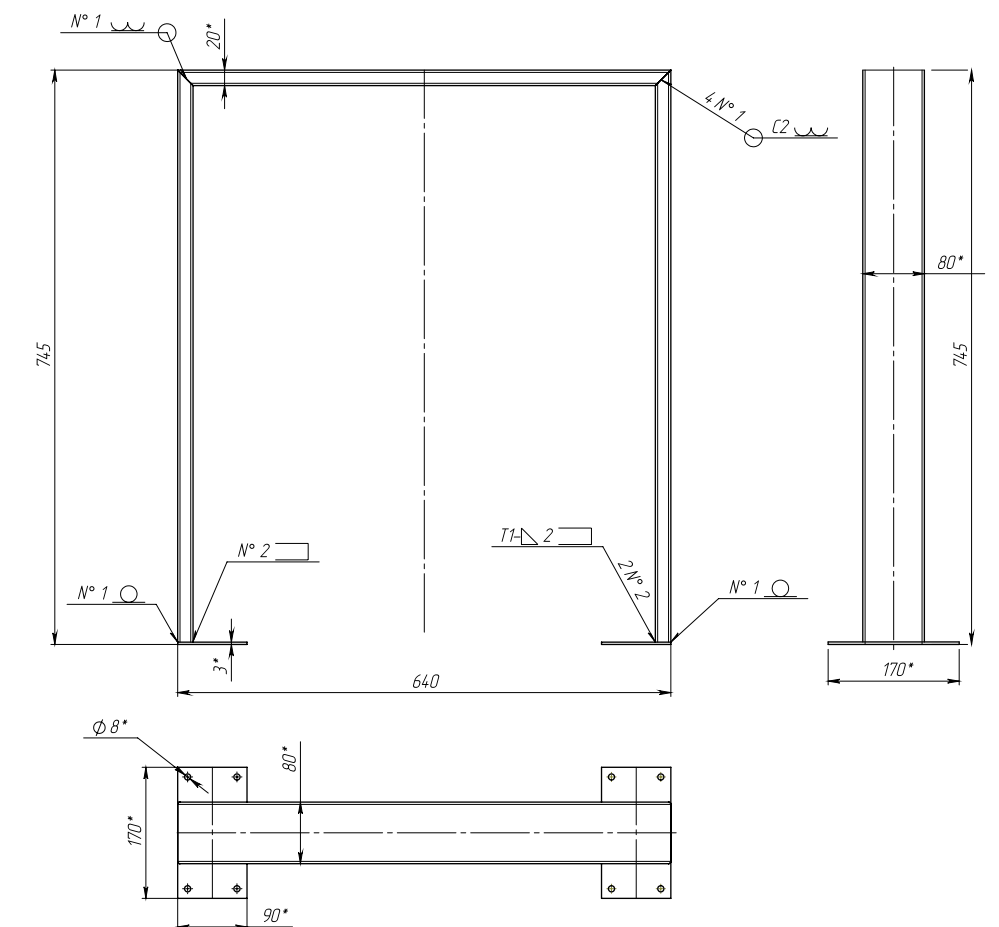
COLOUR

Black Matt

Metallic Matt

Natural Matt

White Matt



60*550*320

Cold-rolled pipe 60*20, thickness 1.2 mm, powder paint for external use, velvet varnish transparent gloss/mat



EQUIPMENT

supports - 2 pcs.

set of self-tapping screws for packaging assembly

packing

SIZES, MM

60*550*320

VENDOR CODE

SF 550_320 BG/BM

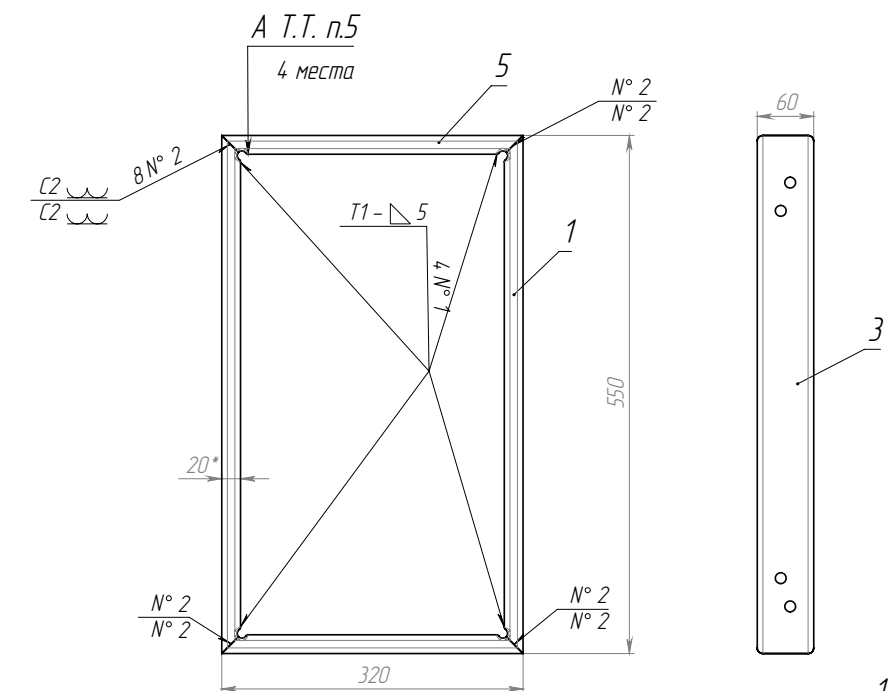
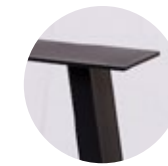
SF 550_320 MG/MM

SF 550_320 WG/MM

SET WEIGHT, KG

5.16

COLOUR Black Glance/Matt Metallic Glance/Matt White Glance/Matt



Simple Frames

(2/set)

MODEL NAME	COLOUR	VENDOR CODE	SIZES, MM	SET WEIGHT, KG	DESCRIPTION	COMPONENT PARTS
60*550*320	Black Glance/ Matt	SF 550_320 BG/BM	60*550*320	5.16	Cold-rolled pipe 60*20, thickness 1.2 mm, powder paint for external use, varnish transparent gloss/mat	supports - 2 pcs., set of self-tapping screws for packaging assembly, packing
	Metallic Glance/ Matt	SF 550_320 MG/MM				
	White Glance/ Matt	SF 550_320 WG/MM				
60*550*402	Black Glance/ Matt	SF 550_402 BG/BM	60*550*402	5.32	Cold-rolled pipe 60*20, thickness 1.2 mm, powder paint for external use, varnish transparent gloss/mat	supports - 2 pcs., set of self-tapping screws for packaging assembly, packing
	Metallic Glance/ Matt	SF 550_402 MG/MM				
	White Glance/ Matt	SF 550_402 WG/MM				
80*350*422	Black Glance/ Matt	SF 350_422 BG/BM	80*350*422	5.82	Cold-rolled pipe 80*20, thickness 1.2 mm, powder paint for external use, varnish transparent gloss/mat	supports - 2 pcs., set of self-tapping screws for packaging assembly, packing
	Metallic Glance/ Matt	SF 350_422 MG/MM				
	White Glance/ Matt	SF 350_422 WG/MM				
80*450*1112	Black Glance/ Matt	SF 450_1112 BG/BM	80*450*1112	11.77	Cold-rolled pipe 80*20, thickness 1.2 mm, powder paint for external use, varnish transparent gloss/mat	supports - 2 pcs., set of self-tapping screws for packaging assembly, packing
	Metallic Glance/ Matt	SF 450_1112 MG/MM				
	White Glance/ Matt	SF 450_1112 WG/MM				
80*800*720	Black Glance/ Matt	SF 800_720 BG/BM	80*800*720	11.41	Cold-rolled pipe 80*20, thickness 1.2 mm, powder paint for external use, varnish transparent gloss/mat	supports - 2 pcs., set of self-tapping screws for packaging assembly, packing
	Metallic Glance/ Matt	SF 800_720 MG/MM				
	White Glance/ Matt	SF 800_720 WG/MM				

VARIANT PROFILE SRL

Or. Targu Jiu, str. Tismana 1A, judet GORJ, Romania

office@variant-profile.com

+40 754 427 608